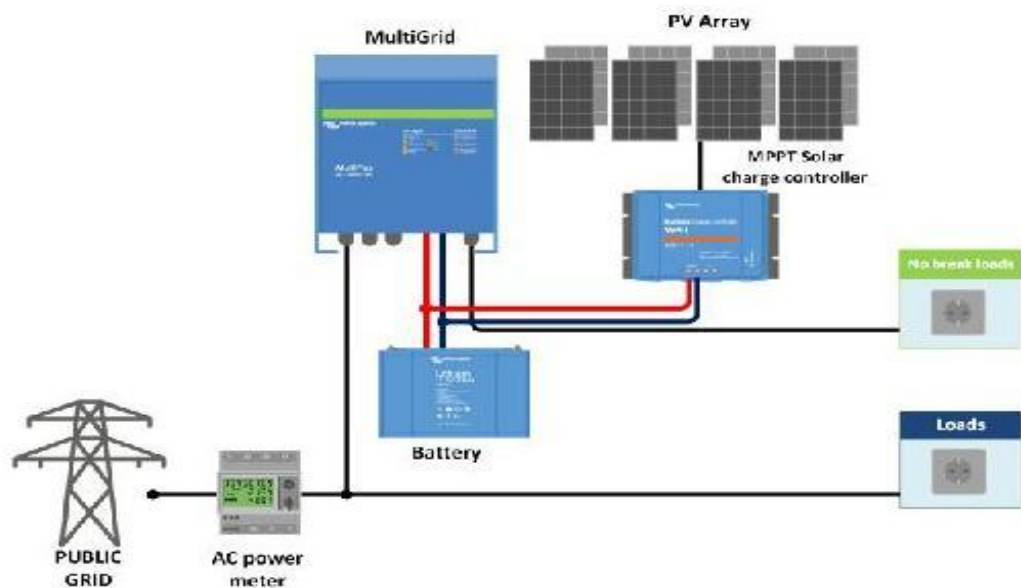


DRAGONS BREATH

Grid parallel connection using charge controller



Grid parallel topology with MPPT solar charge controller

Certain critical loads only are protected against a power outage.

The MultiGrid will use data from the power meter to optimise self-consumption and, if required, to prevent back feed of excess solar power into the grid.

MultiGrid power system:

- Ideal to feed solar into battery system
- No moving parts
- 5 years warranty
- Grid in line connection using MPPT solar charge controller
- Solar panels
- Solar battery
- MultiGrid
- AC power meter

Contact us: info@solardragons.co.uk

Tel: 01646 600151

Self contained solar inverter/charger system that supplies PV power to battery for self consumption.

The MultiGrid will optimise self consumption via signal from power meter.

Multigrd through AC signal will prevent excess power being fed back into the grid.

MultiGrid will allow critical loads only to supply the load in event of power outage.

MultiGrid size's available:

- 24/3000/70
- 48/3000/35
- 24v Kit contains: Full size solar panels + std solar panel fixing kit + MPPT solar charge controller + 4.8kwh nominal battery store + 24/3000/70 MultiGrid unit + PV & battery cables + AC power meter
- 48v Kit contains: Full size solar panels + std solar panel fixing kit + MPPT solar charge controller + 4.8kwh nominal battery store + 48/3000/35 MultiGrid unit + PV & battery cables + AC power meter